

# VFL >>> Retrofit Opportunities




Steel drift eliminators



Discharge hood



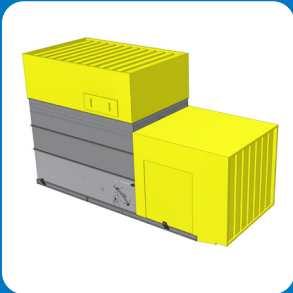
Oversized motor & Drive set



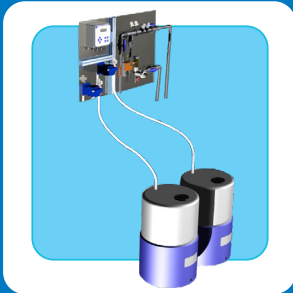
Plume abatement coil



- Improve maintenance and accessibility
- Enhance operational safety
- Reduce sound emission
- Save water
- Save energy and increase performance
- Increase reliability



Intake & discharge attenuation



BCP automatic bleed control



Separator



Basin sweeper piping



Baltiguard (standby motor & motor base)



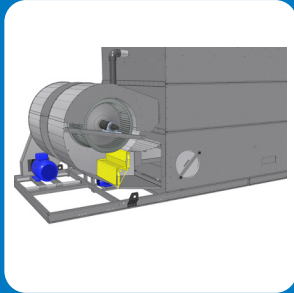
High level access platform




Clean out port



Positive closure dampers



Backdraft dampers



Heater package



Electric water level control package

Note: The drawings on this page are for reference only, and may vary from the actual solution offered.