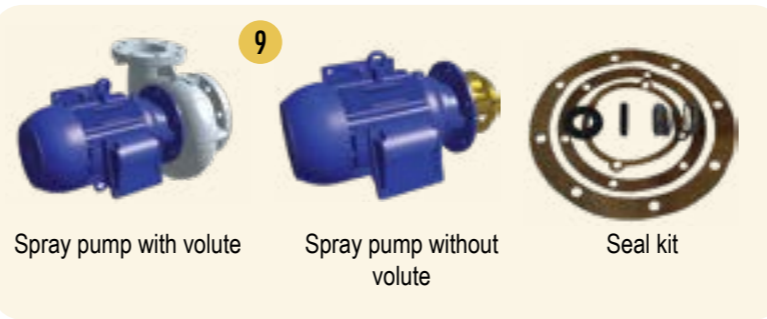
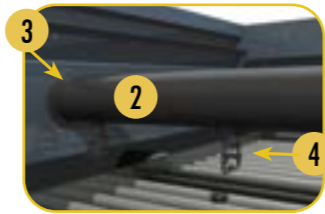




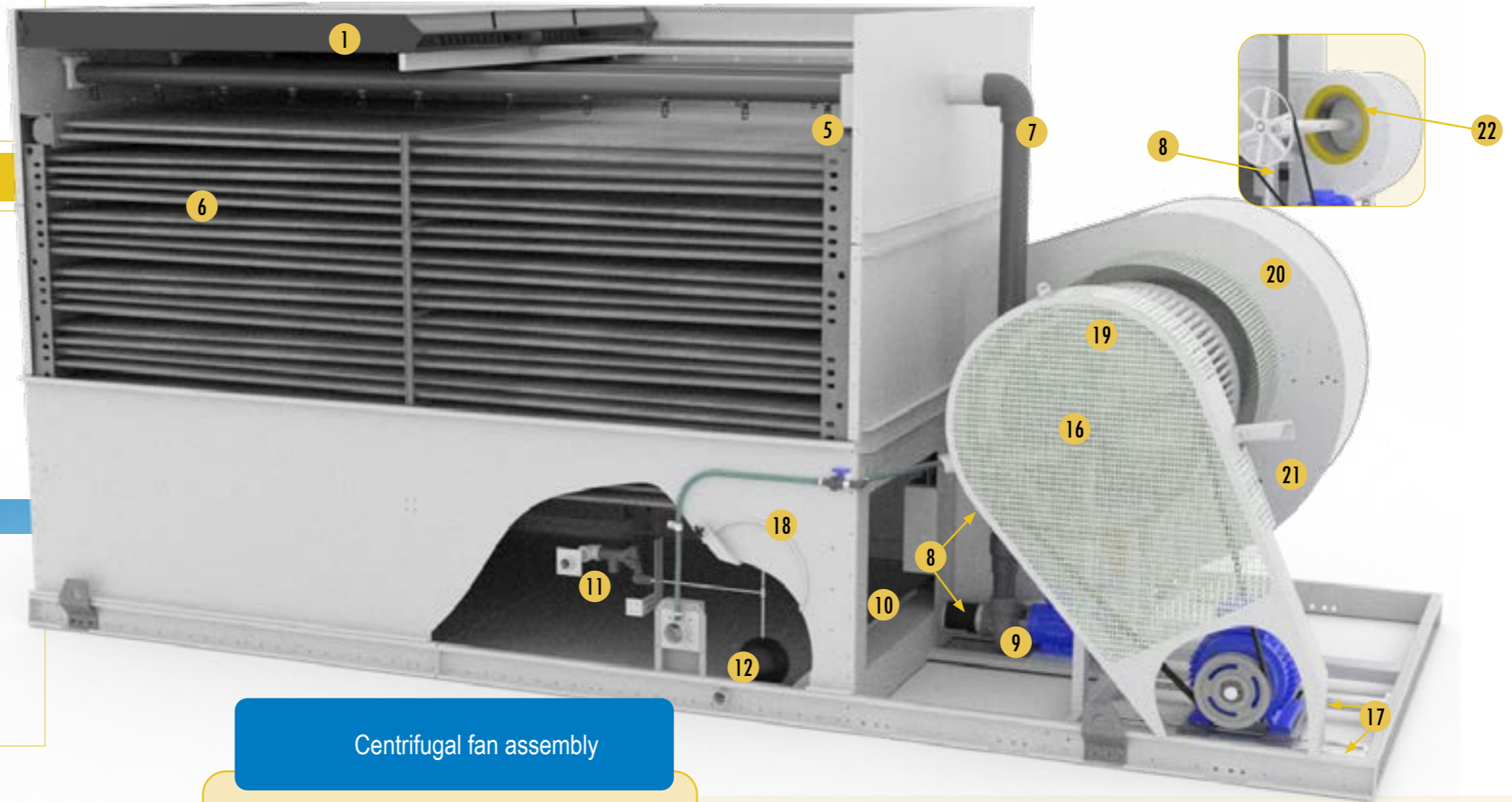
## Coil Casing Section

- i** 1. Drift eliminators
- i** 2. Spray branches
- i** 3. Spray branch grommets
- i** 4. Spray nozzles & nozzles grommets
- i** 5. Spray header
- i** 6. Coil(s)
- i** 7. Pump piping
- i** 8. Sleeve & clamps



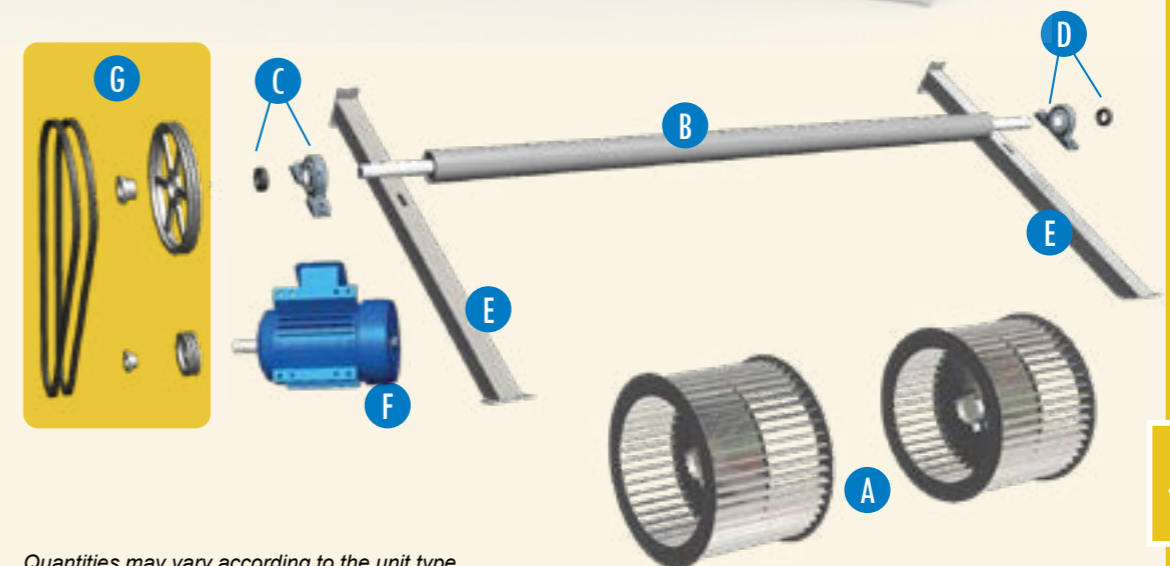
## Pan Fan Section

- i** 9. Spray pump  
with volute    without volute    seal kit
- i** 10. Strainer
- i** 11. Make-up valve & arm
- i** 12. Float ball
- i** 13. Heater
- i** 14. Heater thermostat
- i** 15. Low level cut out switch
- i** 16. Centrifugal fan assembly (see detailed view)
- i** 17. Motor base with adjuster
- i** 18. Access door & gasket
- i** 19. Fan guard
- i** 20. Fan housing - upper
- i** 21. Fan housing - lower
- i** 22. Fan inlet ring



## Centrifugal fan assembly

- i** A. Centrifugal fan wheel
- i** B. Fan shaft
- i** C. Bearing drive end with locking collar
- i** D. Bearing non-drive end with locking collar
- i** E. Bearing support
- i** F. Fan motor
- i** G. Drive set
  - i** Motor sheave & bushing
  - i** Fan sheave & bushing
  - i** Belt set



## Client contact information

Name \_\_\_\_\_  
 Company \_\_\_\_\_  
 Telephone \_\_\_\_\_  
 Email \_\_\_\_\_  
 Unit model \_\_\_\_\_  
 Serial number \_\_\_\_\_



Name \_\_\_\_\_  
 Telephone \_\_\_\_\_  
 Email \_\_\_\_\_

This is not an official order form.

Quantities may vary according to the unit type.

Spare parts for condenser

