

S15E 1218-09 - 1218-12

Open koeltorens

Technische gegevens

REMARK: Do not use for construction. Refer to factory certified dimensions & weights. This page includes data current at time of publication, which should be reconfirmed at the time of purchase. In the interest of product improvements, specifications, weights and dimensions are subject to change without notice.

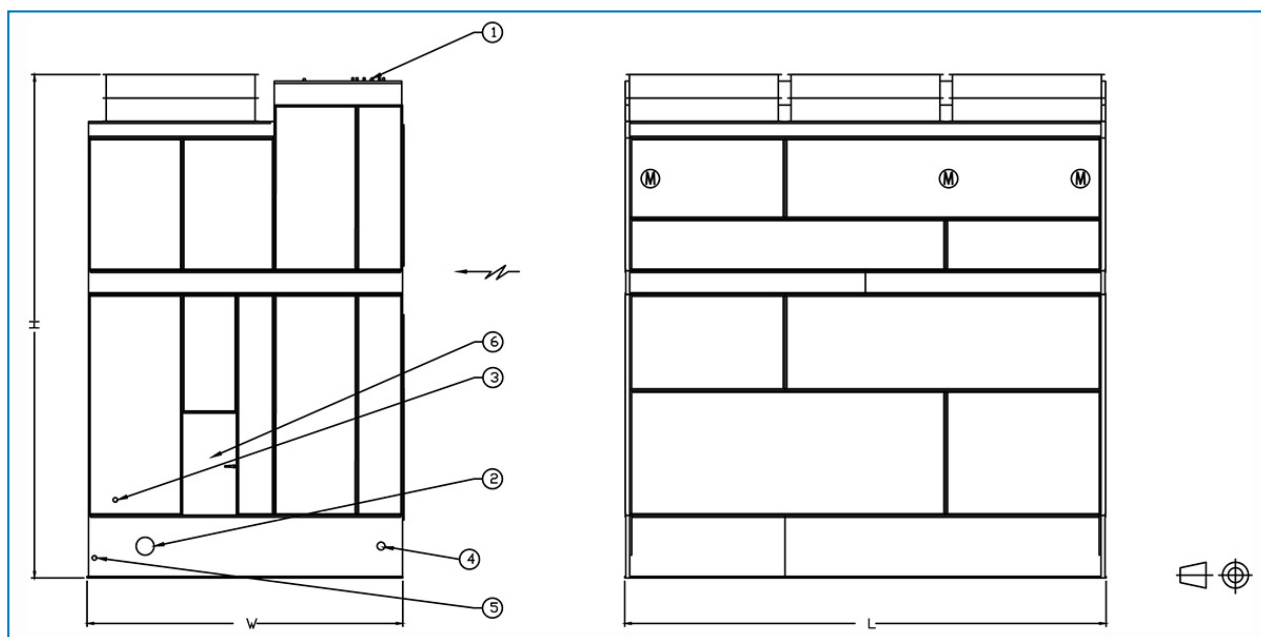
General notes

1. All connections 100 mm and smaller are MPT. Connections 125 mm and larger are beveled-for-welding.
2. Make up, overflow, suction and drain connections can be provided on end opposite to that shown; consult your BAC representative.
3. Models 1012-09 thru 1012-10, 1018-09 thru 1018-10, 1212-09 thru 1212-12 and 1218-09 thru 1218-12 are shipped in two sections per cell. The top section heights are for model 1012-09 thru 1012-10 and 1212-09 thru 1212-12, 2501 mm. For models 1018-09 thru 1018-10 and 1218-09 thru 1218-12, 2562 mm.

[S1500E cooling tower performance at standard conditions](#)

Laatst bijgewerkt: 24/08/2024

S15E 1218-09 - 1218-12



1. Water in; 2. Water uit; 3. Make-up; 4. Overloop ND80; 5. Afvoer ND50; 6. Toegangsdeur.



Model	Gewicht (kg)			Afmetingen (mm)			Luchtdebi et (m ³ /s)	Ventilator motor (kW)	Vloeistof nlaat ND (mm)	Vloeistof itlaat ND (mm)	Suppletie ND (mm)
	Bedrijfsge wicht (kg)	Transport gewicht (kg)	Zwaarste gedeelte (kg)	L	W	H					
S15E 1218-0 9JE	12347	5502	3162	5480	3607	4570	52.0	(3x) 5.5	(1x) 250	(1x) 300	(1x) 40
S15E 1218-0 9KE	12365	5520	3180	5480	3607	4570	58.0	(3x) 7.5	(1x) 250	(1x) 300	(1x) 40
S15E 1218-0 9LE	12537	5693	3352	5480	3607	4570	65.0	(3x) 11.0	(1x) 250	(1x) 300	(1x) 40
S15E 1218-1 0KE	12955	5752	3180	5480	3607	4976	60.0	(3x) 7.5	(1x) 250	(1x) 300	(1x) 40
S15E 1218-1 0LE	13127	5924	3352	5480	3607	4976	67.0	(3x) 11.0	(1x) 250	(1x) 300	(1x) 40
S15E 1218-1 0ME	13209	6006	3434	5480	3607	4976	74.0	(3x) 15.0	(1x) 250	(1x) 300	(1x) 40
S15E 1218-1 1KE	13308	5987	3180	5480	3607	5382	62.0	(3x) 7.5	(1x) 250	(1x) 300	(1x) 40
S15E 1218-1 1LE	13481	6160	3352	5480	3607	5382	70.0	(3x) 11.0	(1x) 250	(1x) 300	(1x) 40
S15E 1218-1 1ME	13562	6241	3434	5480	3607	5382	77.0	(3x) 15.0	(1x) 250	(1x) 300	(1x) 40
S15E 1218-1 2KE	13785	6228	3180	5480	3607	5789	64.0	(3x) 7.5	(1x) 250	(1x) 300	(1x) 40
S15E 1218-1 2LE	13957	6400	3352	5480	3607	5789	72.0	(3x) 11.0	(1x) 250	(1x) 300	(1x) 40
S15E 1218-1 2ME	14039	6482	3434	5480	3607	5789	79.0	(3x) 15.0	(1x) 250	(1x) 300	(1x) 40