

PLC2 xxx-0818E-K

Verdampingscondensors

Technische gegevens

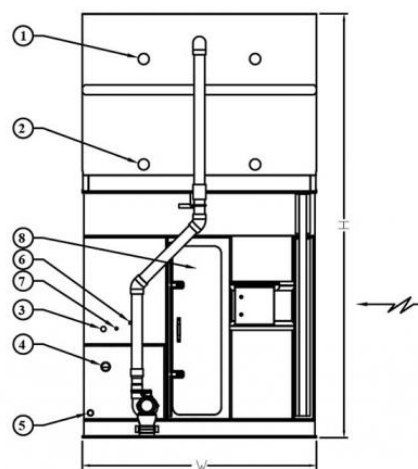
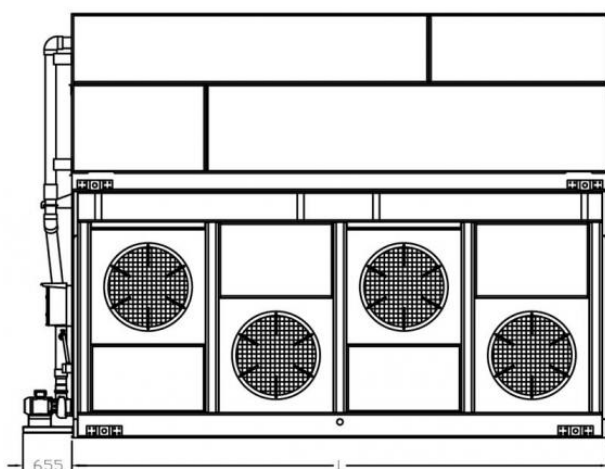
REMARK: Do not use for construction. Refer to factory certified dimensions & weights. This page includes data current at time of publication, which should be reconfirmed at the time of purchase. In the interest of product improvement, specifications, weights and dimensions are subject to change without notice.

General notes

1. Standard refrigerant in- and outlet connection sizes are ND100. Consult your local BAC representative for locations. Refrigerant connections are closed and coils are filled with an inert gas.
2. Unit height is indicative. For precise value refer to certified print.
3. Shipping/operating weights indicated are for units without accessories such as sound attenuators, discharge hoods, etc. Consult factory certified prints to obtain weight additions and the heaviest section to be lifted. Operating weights shown in the tables is based on total unit weight, weight of refrigerant operating charge and basin filled to overflow level.
4. Drawings show the standard right hand arrangement (air inlet side on the right when facing the connection end). Left hand arrangement can be supplied upon request.

Laatst bijgewerkt 07/02/2025

PLC2 xxx-0818E-K



1. Koelmiddel in ND100; 2. Koelmiddel uit ND100; 3. Make-up ND40; 4. Overloop ND80; 5. Afvoer ND50; 6. Spui ND25; 7. Behandeld water in ND20; 8. Toegangsdeur.



Model	Gewicht (kg)			Afmetingen (mm)			Luchtdebiet (m ³ /s)	Ventilatormotor (kW)	Sproeiwaterdebiet (l/s)	Pompmotor (kW)	R717-lading (kg)
	Bedrijfgewicht (kg)	Transportgewicht (kg)	Zwaarste gedeelte (kg)	L	W	H					
PLC2 0350- 0818E-K	8982	6930	3644	5480	2469	4353	44.92	(4x) 7.0	30.6	(1x) 4.0	150.0
PLC2 0392- 0818E-K	9797	7697	4411	5480	2469	4353	43.03	(4x) 7.0	30.6	(1x) 4.0	198.0
PLC2 0434- 0818E-K	10774	8626	5340	5480	2469	4734	41.14	(4x) 7.0	30.6	(1x) 4.0	246.0
PLC2 0458- 0818E-K	11588	9392	6106	5480	2469	4734	39.25	(4x) 7.0	30.6	(1x) 4.0	294.0